



SOLVING ROLL MOVER



Operation

The Solving operator-controlled Roll Mover is designed to handle reels that are positioned on the floor. The Mover drives under the reel, lifts it up and transports it to the required destination. Paper or plastic reels, coil and cable drums, can all be handled with the Solving Mover.

Air bearings lift the loaded Mover from the floor and a thin film of air is formed on which the Mover floats, virtually without friction. Utilising the built-in lifting device reels and drums of varying sizes can be handled without any additional assistance.

Solving's air film Mover provides high standards of safety for both personnel and products. The air film Mover requires minimum maintenance and is a cost-effective solution to material handling needs.



Creating Movement

Constudion

The air film-based Mover consists of two steel forks, each equipped with integral pneumatic lifting devices.

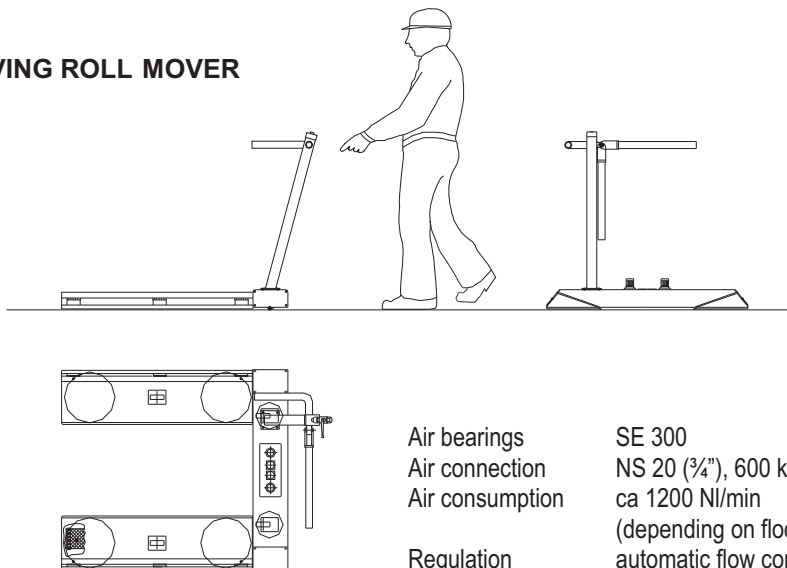
The handlebar can be provided both in left- and right hand versions, and it also folds down to make the roll accessible when loading and unloading.

The air bearings are mounted in the corners of the unit and the Mover can also be moved unloaded without air, by means of the integral no load wheels.

The pneumatic components of the Mover are mounted in the control box at on the handlebar. The air pressure is automatically regulated corresponding to the weight of the load.

Technical information

SOLVING ROLL MOVER



| | |
|-----------------|--|
| Air bearings | SE 300 |
| Air connection | NS 20 (3/4"), 600 kPa |
| Air consumption | ca 1200 NI/min (depending on floor) |
| Regulation | automatic flow control |

| Type | Load kg | Roll Diameter min mm | Roll Diameter max mm | Fork length max mm | Width mm |
|------------------|------------|-------------------------|-------------------------|-----------------------|-------------|
| SAFT 2 C – 10/9 | 2000 | 600 | 1270 | 900 | 1068 |
| SAFT 2 C – 10/11 | 2000 | 600 | 1270 | 1100 | 1068 |
| SAFT 2 C – 10/13 | 2000 | 600 | 1270 | 1300 | 1068 |
| SAFT 2 C – 10/15 | 2000 | 600 | 1270 | 1500 | 1068 |
| SAFT 2 C – 12/9 | 2000 | 800 | 1500 | 900 | 1158 |
| SAFT 2 C – 12/11 | 2000 | 800 | 1500 | 1100 | 1158 |
| SAFT 2 C – 12/13 | 2000 | 800 | 1500 | 1300 | 1158 |
| SAFT 2 C – 12/15 | 2000 | 800 | 1500 | 1500 | 1158 |

Alternative dimensions and configurations are available upon request. Accessories such as motorised reel rotators are available for unwrapping rolls, and adjustable forks can be specified to cater for a variety of diameters.

SOLVING DO BRASIL

Repres. Exclusivo Brasil e América Latina

Fone/Fax: +55 19 3829 1336

www.solvingdobrasil.com.br
vendas@solvingdobrasil.com.br



Ab Solving Oy
 PO Box 98
 FI-68601 Jakobstad
 FINLAND
 Tel +358 6 781 7500
 Fax +358 6 781 7510
info@solving.fi
www.solving.fi