

Direct-controlled Solving M



▣ Solving in brief

Solving is one of the world's leading manufacturers of industrial handling equipment for heavy loads.

Our products range from simple, manually operated systems to automated riderless vehicles for continuous operation.

Most Solving systems are custom built and manufactured under the product name **Solving Mover.**



Handling of heavy loads on air

Q Solving's direct-controlled air film Movers are designed for handling heavy loads placed either on the Mover or on a load pallet. Integral air bearings lift the Mover and load off the floor and a thin air film is formed between the air bearings and the floor. The Mover then floats virtually friction-free on this air film.

Solving's air film Mover provides a very high degree of safety and protection for both personnel and goods. The air film Mover requires a minimum of maintenance and is a cost-effective solution to the material handling needs.



A safety guard around the Mover minimises injuries and prevents debris from entering the air bearing area.



The air bearings are slide-mounted for easy inspection or replacement without unloading or lifting the Mover.



Direct-controlled Solving Mover

The air film Mover consists of a load carrying steel frame covered with floor plate. The air bearings are mounted in the corners under the Mover and the pressure in the air bearings is automatically regulated according to the weight of the load and the position of the centre of gravity.

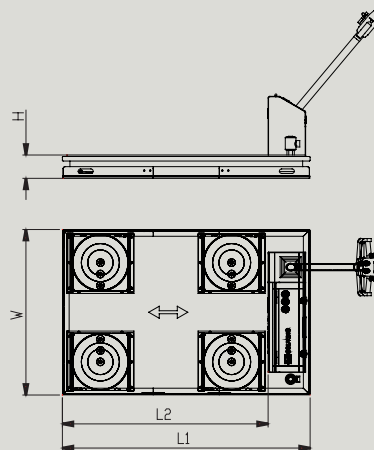
The drive units are centrally placed under the load. Using these built-in drive units the Mover can be driven forwards and backwards at an infinitely adjustable speed, providing good manoeuvrability.

When equipped with a steerable drive unit, the Mover can also be driven sideways either to the right or left. These drive units are rotated using an air cylinder.

When handling pallets, the Mover is equipped with 'no load' wheels to enable the unit to be driven under the pallet. The Mover's control system is mounted in the control console from where the operator can control and supervise all functions.

TECHNICAL INFORMATION

Capacity	5 tonnes
Air bearings	SE 400
Air supply	600 kPa
Air consumption	2 650 NI/min
Driving speed	up to 20 m/min



SPECIFICATIONS BY TYPE

Type	Capacity tonnes	Length L1 mm	Length L2 mm	Width W mm	Height H mm	Air consumption NI/min
SAPT5C-1X	5	1 650	1 370	1 100	155	2 650
SAPT5C-1XY	5	2 100	1 820	1 100	175	2 650

Ab Solving Oy
PO Box 98
FI-68601 Jakobstad
Finland

Tel. +358 6 781 7500
Fax +358 6 781 7510
info@solving.f
www.solving.f

SOLVING DO BRASIL

Repres. Exclusivo Brasil e América Latina

Fone/Fax: +55 19 3829 1336

www.solvingdobrasil.com.br
vendas@solvingdobrasil.com.br

